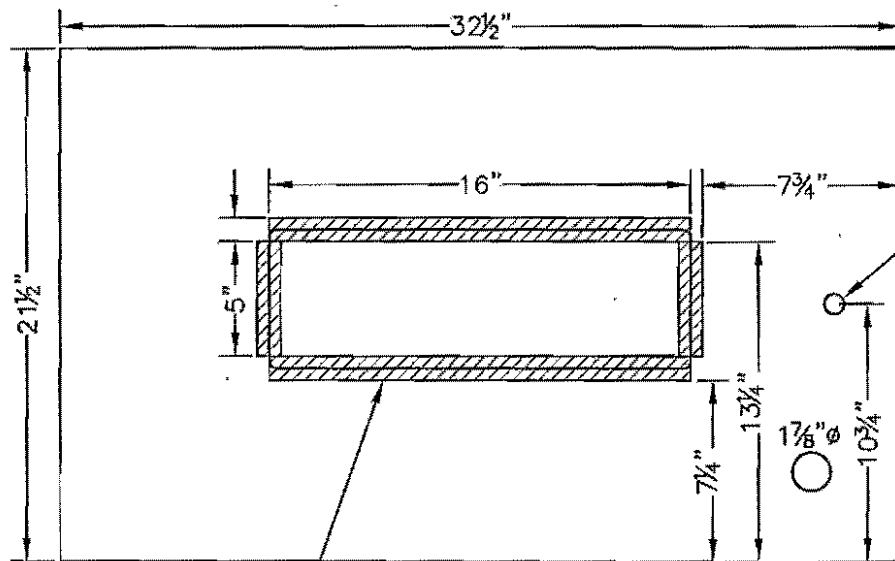
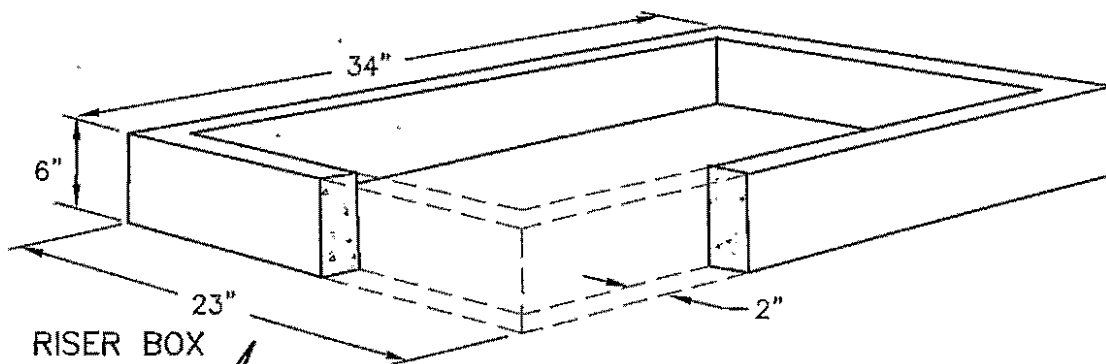


STEP #1



STEP #2

1" x 1/4" STRAP WELDED FOUR LOCATIONS ON BOTTOM OF PLATE. STRAP EXTENDS 1/2" INTO FLAME CUT HOLE TO FORM A LIP. STRAP TO BE WELDED ON OUTSIDE EDGE (NOT IN HOLE), FLAME CUT PIECE WILL REST ON LIP FORMED BY THIS PIECE.



RISER BOX

NO SCALE-

APPROVED

City Engineer

9/17/07

Date

CITY OF BELLINGHAM  
NUMBER 2 METER BOX

DRAWING

WA-848