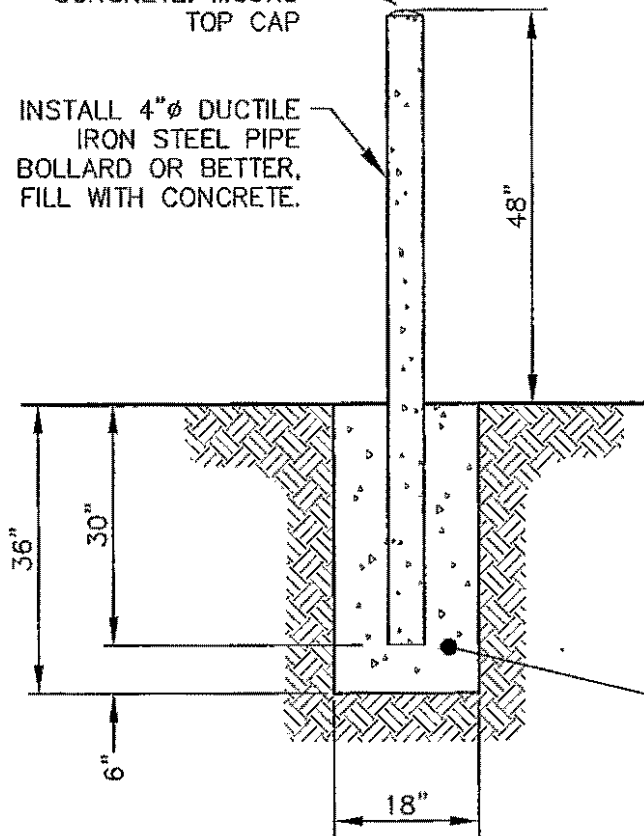


FILL PIPE SOLID WITH
CONCRETE. MOUND
TOP CAP

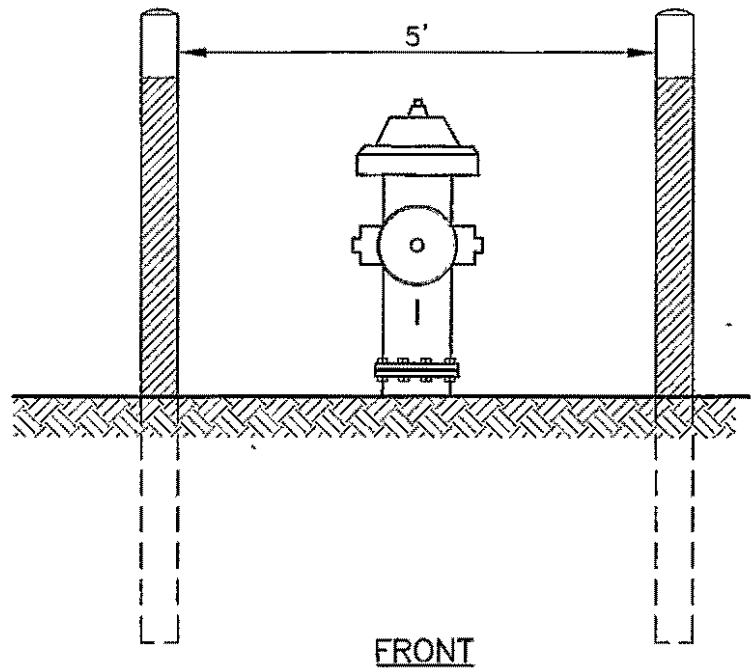
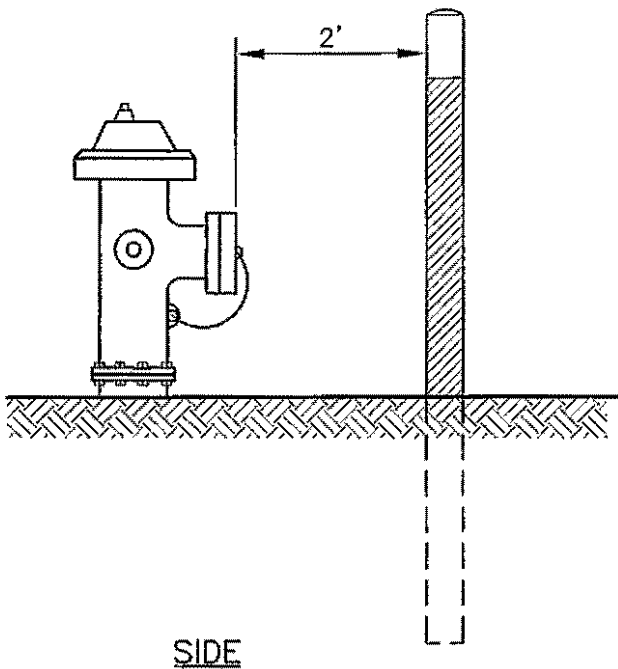
INSTALL 4"Ø DUCTILE
IRON STEEL PIPE
BOLLARD OR BETTER,
FILL WITH CONCRETE.



NOTES:

1. BOLLARDS SHALL BE 4" DIAMETER DUCTILE IRON POSTS SET IN 36" OF CONCRETE AT LEAST 18" IN DIAMETER. THE INSIDE OF POSTS SHALL ALSO BE FILLED WITH CONCRETE WITH SMOOTH MOUND AS TOP CAP.
2. BOLLARDS SHALL BE LOCATED AT LEAST 2' IN FRONT OF HYDRANT, 5' APART.
3. BOLLARDS SHALL EXTEND ABOVE GROUND TO A MINIMUM OF 4'.
4. BOLLARDS SHALL BE OF SUFFICIENT NUMBER TO PROTECT THE HYDRANT, MINIMUM OF 2.
5. PAINT BOLLARDS RED WITH TOP 8" PAINTED WHITE.

EMBED D.I. PIPE 30" INTO
18"Ø CONCRETE BASE WITH
6" PUNCH PAD



APPROVED

Royal Routh
City Engineer

12-28-04
Date

CITY OF BELLINGHAM
FIRE HYDRANT PROTECTION
BOLLARD DETAIL

DRAWING
WA-804