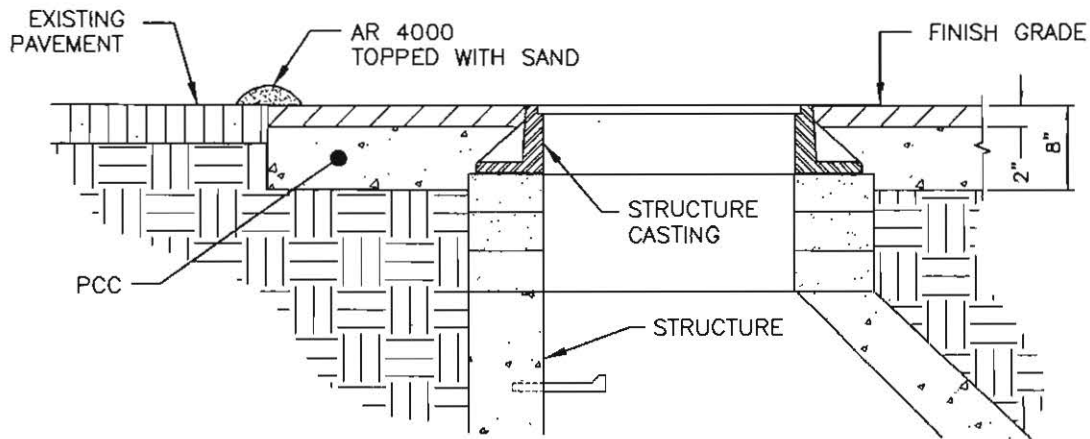


NOTES:

ALL FRAMES, COVERS AND VALVE BOXES SHALL BE ADJUSTED TO FINISHED GRADE AFTER THE FINAL LIFT OF PAVING HAS BEEN COMPLETED. THE FOLLOWING PROCEDURE SHALL BE USED:

1. CUT THE ASPHALT IN A DIAMOND AROUND THE STRUCTURE CASTING TO BE ADJUSTED.
2. REMOVE THE FILL MATERIAL WITHIN THE CUT PAVEMENT AREA TO 8 INCHES MIN. BELOW FINISH GRADE.
3. PLACE THE CASTING AT FINISH GRADE.
4. PLACE PORTLAND CEMENT CONCRETE TO WITHIN THE TOP 2" OF FINISH GRADE.
5. APPLY TACK TO THE STRUCTURE CASTING, CUT PAVEMENT AND PC CONCRETE.
6. PLACE AND COMPACT 2" OF COMMERCIAL HMA TO FINISH GRADE.
7. SEAL PAVEMENT JOINTS WITH HOT AR4000 AND TOP WITH SAND.



APPROVED

Henry J. Powell
City Engineer

3/19/09

Date

CITY OF BELLINGHAM
ADJUSTING CASTINGS
TO FINISH GRADE

DRAWING
ST-183