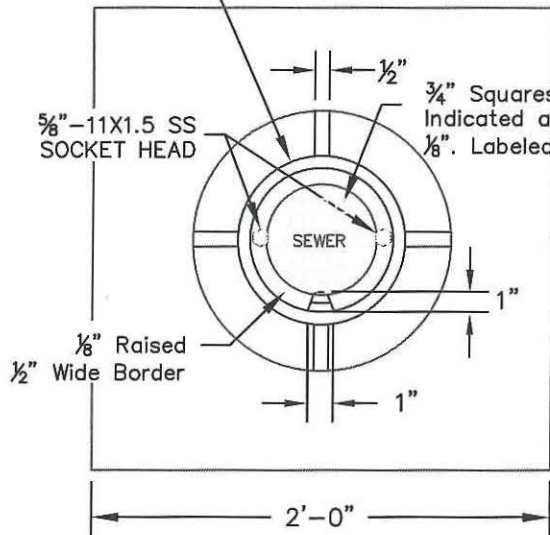
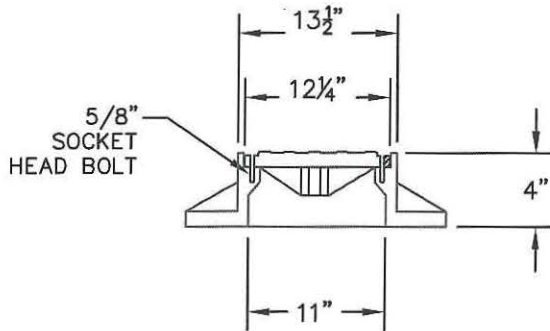


LOCKING TYPE ONLY

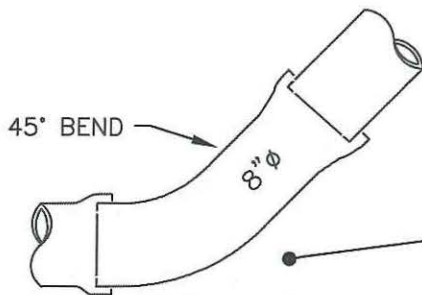
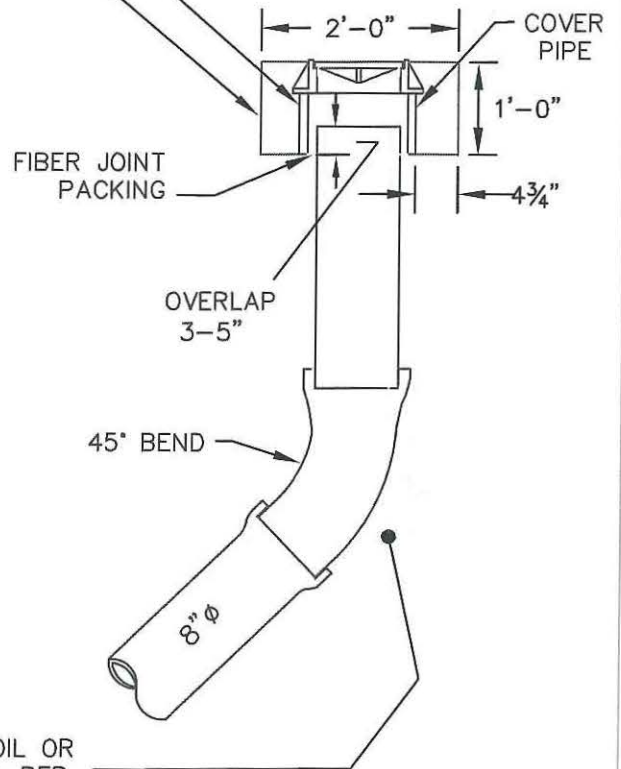


2' SQUARE CONCRETE BLOCK TO ENCASE CLEAN-OUT. IF CLEAN-OUT IS IN ASPHALT, THE BLOCK IS TO BE LEFT APPROXIMATELY 1 1/2" LOW TO ALLOW FOR AN ASPHALT TOPPING OF LIKE MIXTURE AS THE SURROUNDING AREA. IN ALL CASES THE CONCRETE BLOCK WILL BE 1' THICK.

NOT NECESSARY TO BOND COVER PIPE TO RING AT THIS POINT. BUTT COVER PIPE TO RING AND ENCASE IN CONCRETE BLOCK.



CAST IRON RING AND COVER



PLACE PIPE ON UNDISTURBED SOIL OR COMPACTED SOIL PER METHOD "C"

NOT TO SCALE

APPROVED
[Signature]
City Engineer

5/29/14
Date

CITY OF BELLINGHAM
SEWER MAIN CLEANOUT

DRAWING
SS-720