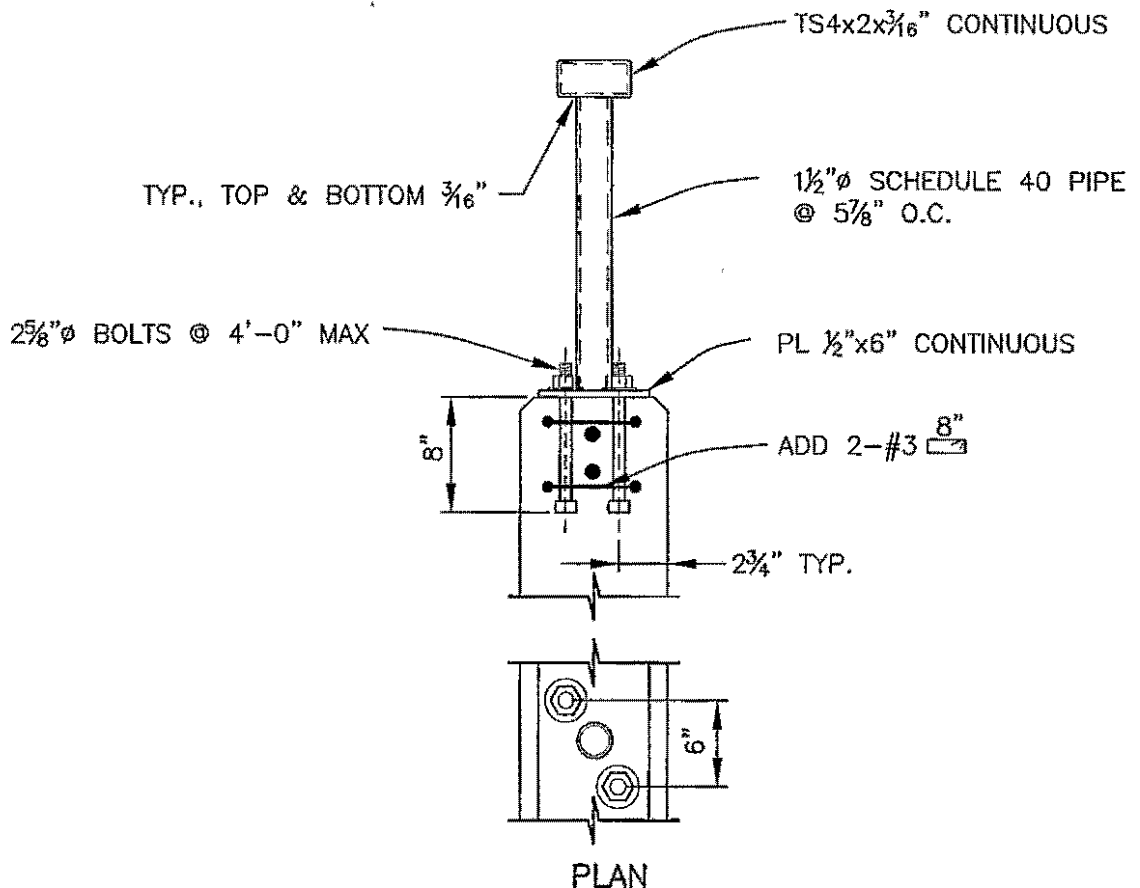


BARRIER WALL VERTICAL CONTROL JOINT
N.T.S.



BARRIER RAIL DETAIL
N.T.S.

APPROVED
Thomas Routh
City Engineer

11/29/04
Date.

CITY OF BELLINGHAM
BARRIER WALL WITH RAIL

DRAWING
MS-1012