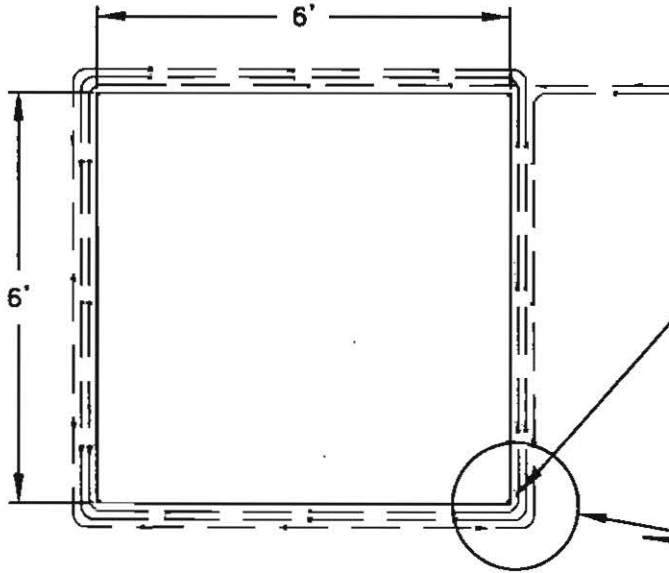
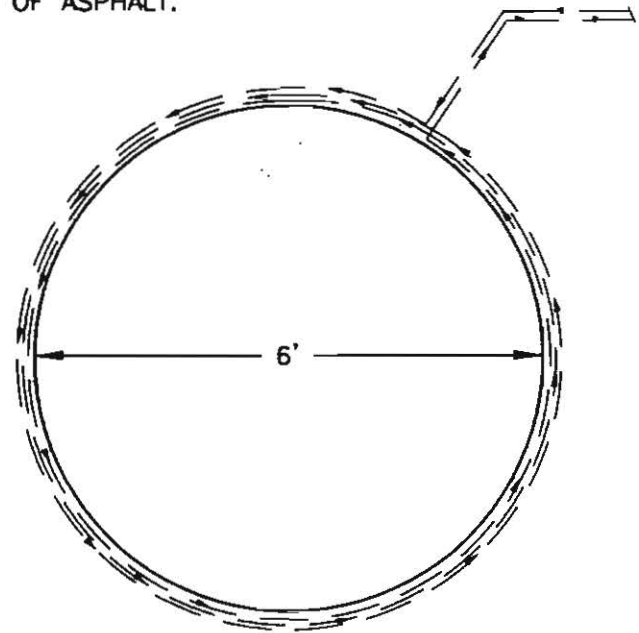
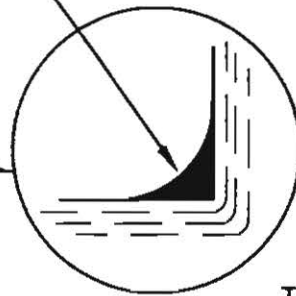


THE TYPE 2 OR ADVANCE INDUCTION LOOPS ARE 6 FEET BY 6 FEET SQUARE OR A 6 FOOT DIAMETER CIRCLE. ALL DETECTOR WIRES ARE INSTALLED IN ONE DIRECTION AROUND THE LOOP. LEAD-IN FROM LOOP TO J-BOX SHALL BE TWISTED AT LEAST TWO TURNS PER FOOT. WIRE SHALL BE #12 USE. LEAD IN SHALL BE INSTALLED THROUGH A 1 1/4" CONDUIT, WITH SWEEP, FROM J-BOX PAST FACE OF CURB. ALL LOOPS SHALL BE INSTALLED PRIOR TO PLACEMENT OF FINAL LIFT OF ASPHALT.



ALL CORNERS SHALL BE CUT AT 90° ANGLES AND THE INSIDE EDGES ROUNDED THE FULL DEPTH OF THE SAW-CUT.



TYPE 2 INDUCTION LOOP MINIMUM OF THREE TURNS

APPROVED  
*David R. Smith*  
City Engineer

5/16/12  
Date

CITY OF BELLINGHAM  
TYPE 2  
INDUCTION LOOP

DRAWING  
EL-462