

**CABINET**

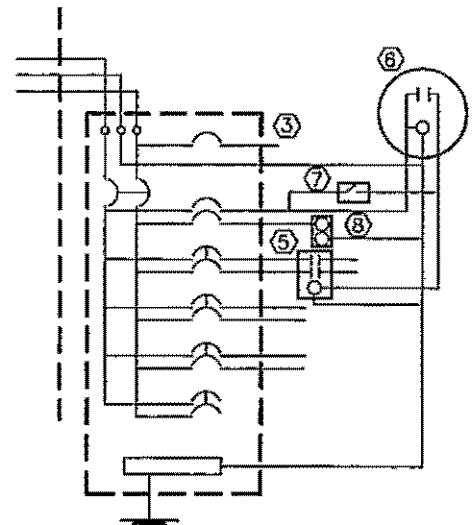
NEMA 3R, PAD  
MOUNT 1/8" BARE  
ALUMINUM

**DOORS**

CONCEALED HINGE LIFT OFF TYPE 3  
POINT LATCH WITH PADLOCKABLE HANDLE  
CLOSED CELL NEOPRENE GASKET  
POLISHED WIRE GLASS WINDOW ON DOOR

**COMPONENT SCHEDULE**

- ①
- ②
- ③ SIGNAL BREAKER, 50A, 1 PHASE, WESTINGHOUSE #QC1050 OR
- ④ EQUAL PANELBOARD, 120/240 V, 1 O, 3 WIRE, 100 A MAIN  
BRANCH BREAKERS;  
15A 1 PHASE CONTROL  
20A 1 PHASE RECEPTACLE  
40A 2 PHASE LIGHTING
- ⑤ CONTACTOR, 60A, 2P, 600V, 120 V COIL
- ⑥ PHOTO CELL, PRECISION #LC4536LA TEST
- ⑦ SWITCH, 120 V 10 A, SPST GROUND
- ⑧ FAULT RECEPTACLE, 120 V, 20 A



**WIRING SCHEMATIC**

**NOTES:**

1. SIZE AND QUANTITY OF BREAKERS AND CONTACTORS TO BE DETERMINED BY JOB.
2. PHOTO CELL SHALL BE MOUNTED ON TOP OF CABINET WITH A WIRE MESH CAGE COVERING THE EYE. THE CAGE SHALL BE CONSTRUCTED WITH A 1/2" ROUND STOCK FRAME COVERED IN STEEL MESH. CAGE SHALL THEN BE HOT-DIP GALVANIZED.

APPROVED

*Rory J. Routh*  
City Engineer

11/29/04  
Date

CITY OF BELLINGHAM

CONTACTOR AND  
SERVICE CABINET

DRAWING

EL-444