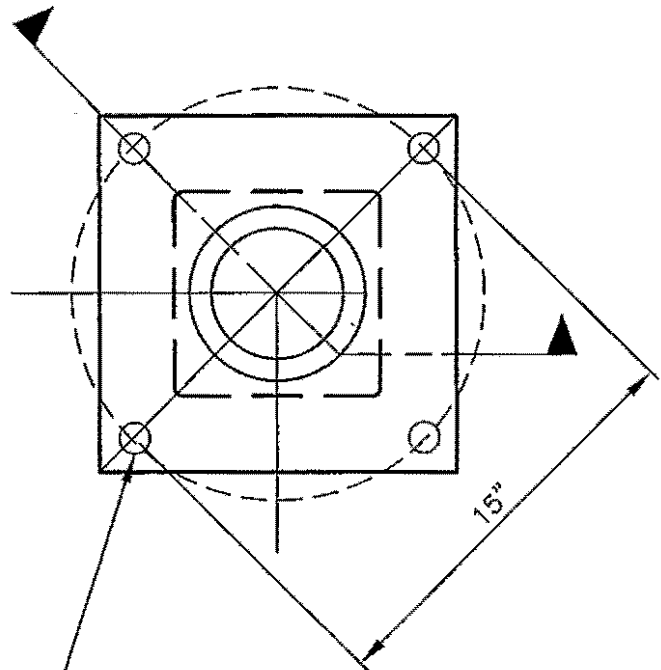


STERNER EX25 HPS
OR EQUAL

MOUNTING HEIGHT
=29' 6"

CENTRECON MBQ-9
OR APPROVED EQUAL



(4) 1 1/4" DIA. HOLES FOR
1" DIA. ANCHOR BOLTS.

NOTE:

AN ILLUMINATION CONTROLLER AND SERVICE CABINET SHALL BE REQUIRED FOR ALL LIGHTING SYSTEMS. USE SECTIONS 8 AND 4-13.22 OF THE DEVELOPMENT STANDARDS FOR ILLUMINATION SYSTEM SPECIFICATIONS.

APPROVED

Royal Rautava
City Engineer

11/29/04

Date

CITY OF BELLINGHAM
ARTERIAL ALTERNATE
LUMINAIRE POLE

DRAWING
EL-408