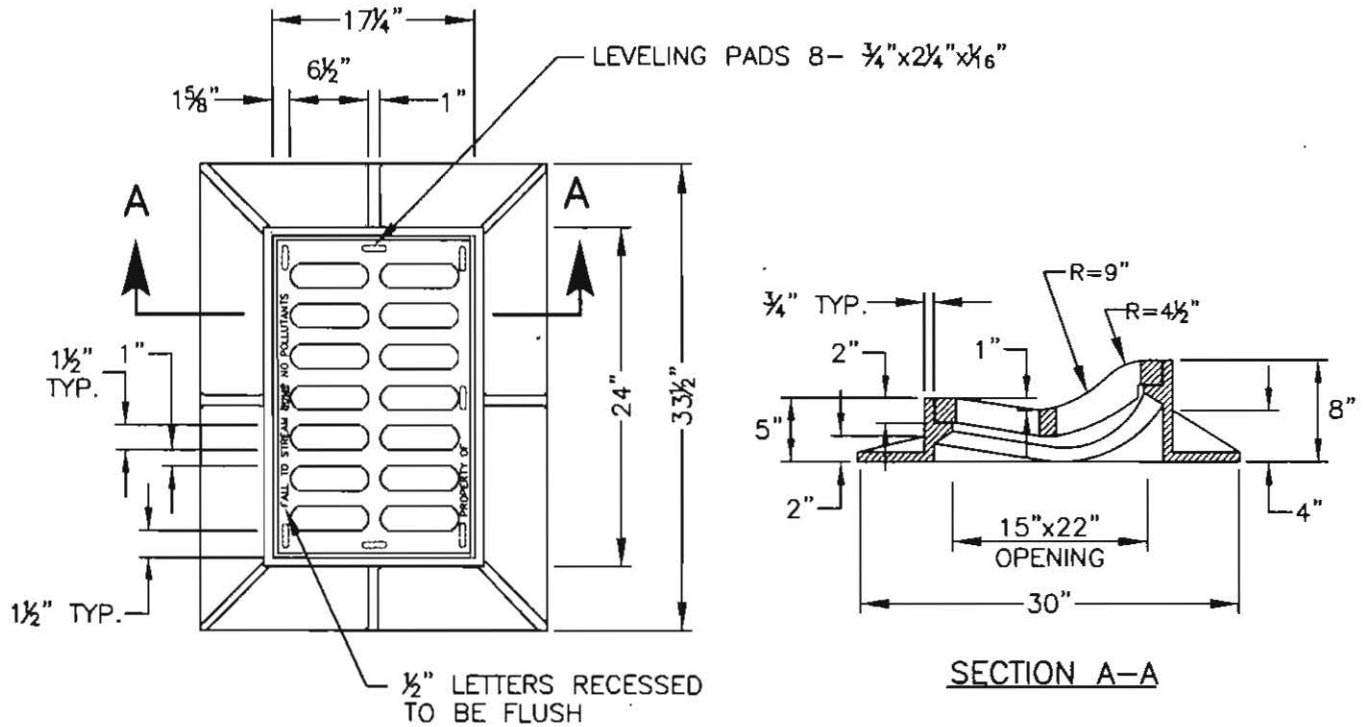


ROLLED CURB FRAME AND GRATE INSTALLATION



ROLLED CURB FRAME AND GRATE

APPROVED

*Ray A. Smith*  
City Engineer

2/26/09  
Date

CITY OF BELLINGHAM  
ROLLED CURB  
FRAME AND GRATE

DRAWING  
DR-510