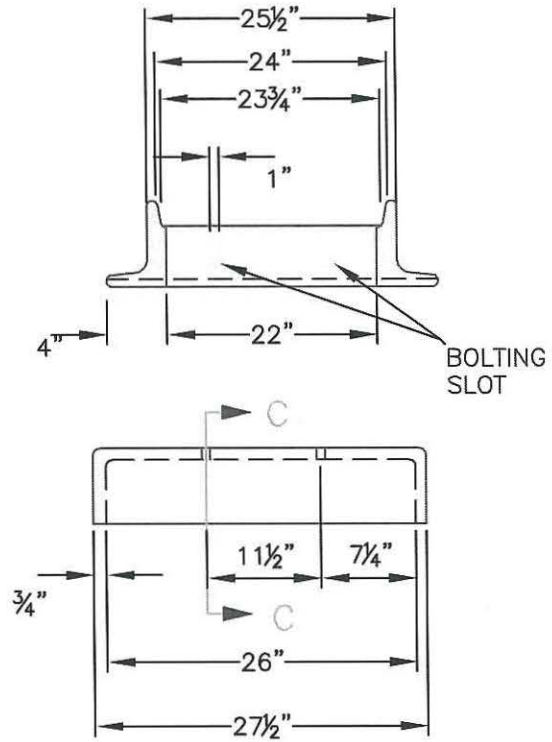
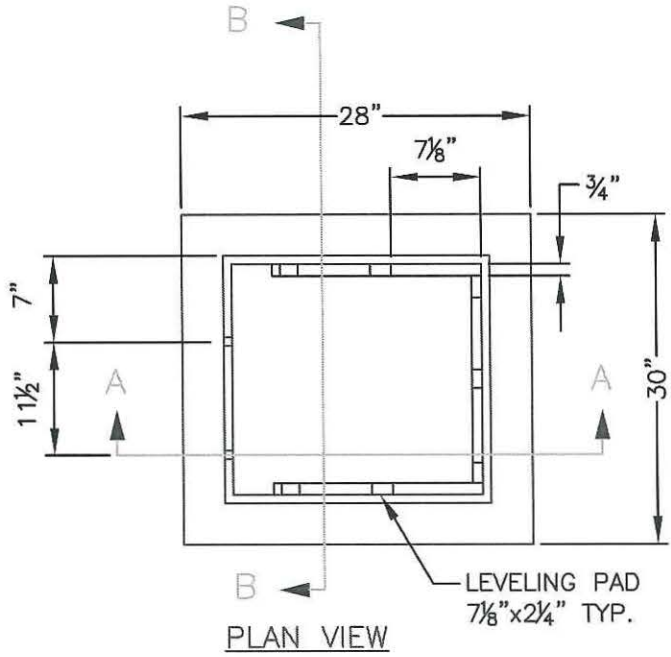


APPROVED
[Signature]
 City Engineer

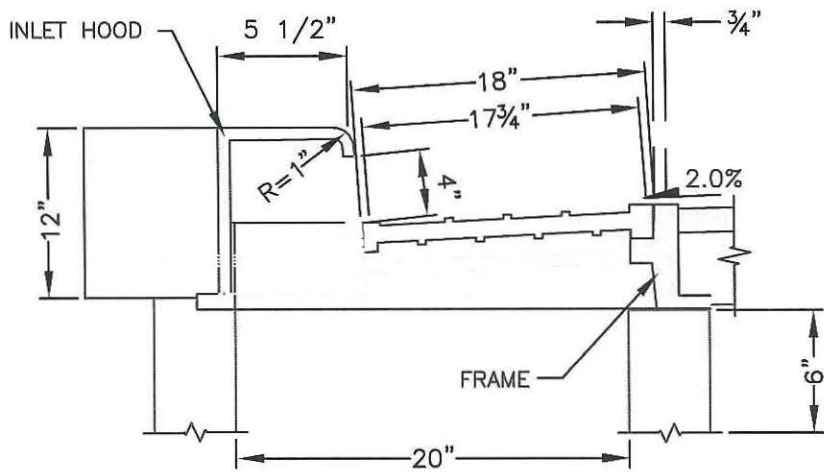
Date
 5/29/14

CITY OF BELLINGHAM
 THRU CURB INLET FRAME

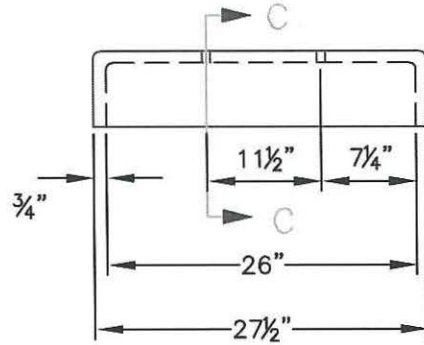
DRAWING
 DR-505



SECTION B-B



SECTION A-A



SECTION C-C

2- 1" ϕ HOLES
 FOR $\frac{3}{4}'' \phi$ BOLT
 WASHER & NUT

NOTES:

1. ESTIMATED WT. FRAME 220, HOOD 71.
2. USE DUCTILE IRON GRATE AS SHOWN ON DRAWING