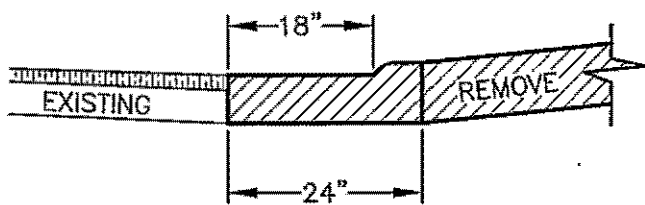
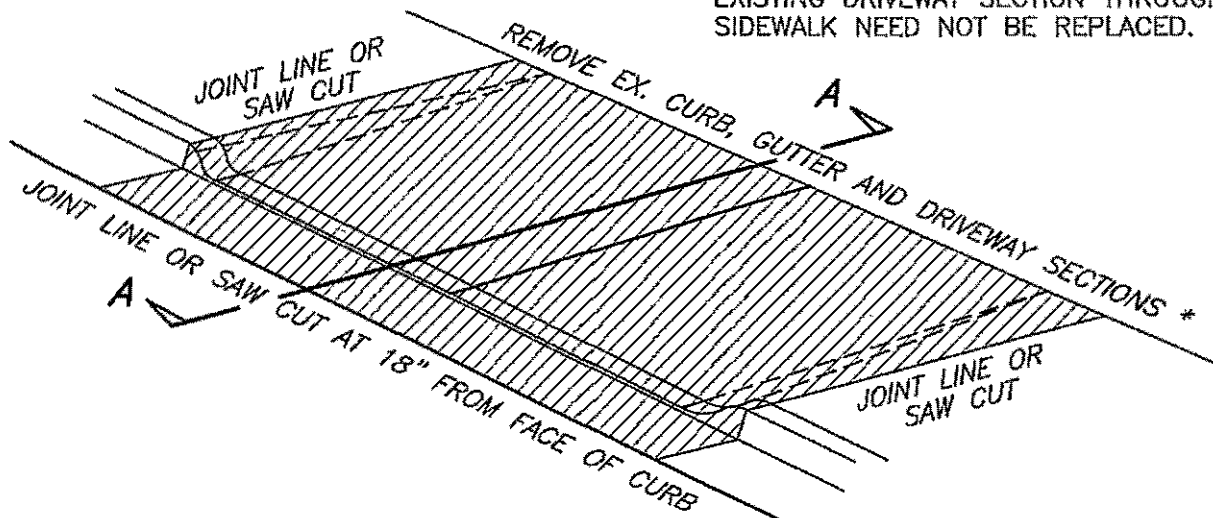
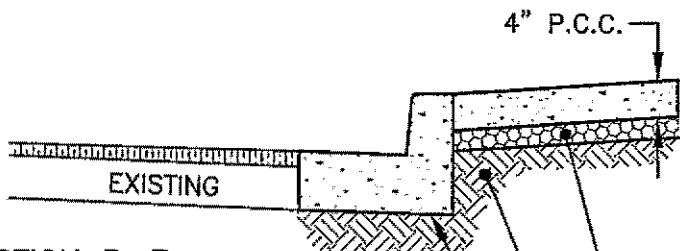
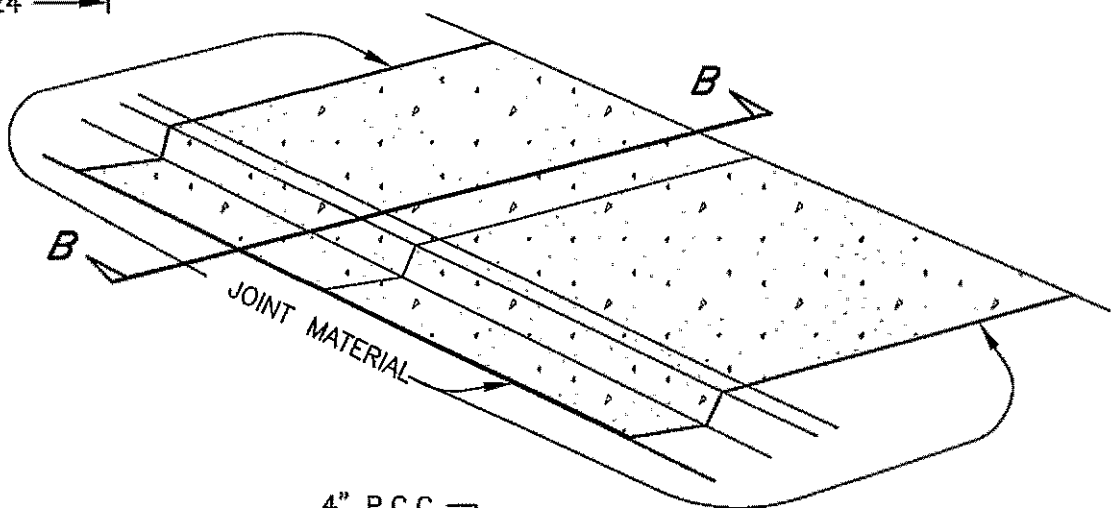


* WHERE PLANTING STRIP IS 3.5' +
EXISTING DRIVEWAY SECTION THROUGH
SIDEWALK NEED NOT BE REPLACED.



SECTION A-A



SECTION B-B

CURB AND GUTTER

UNDISTURBED SUBGRADE OR APPROVED MATERIAL
COMPACTED TO 95% OPTIMUM DENSITY,

$\frac{3}{4}$ " WASHED ROCK-2" THICK MIN.

APPROVED

Royal Rando
City Engineer

11/29/04

Date

CITY OF BELLINGHAM
DRIVEWAY RESTORATION

DRAWING

CG-270