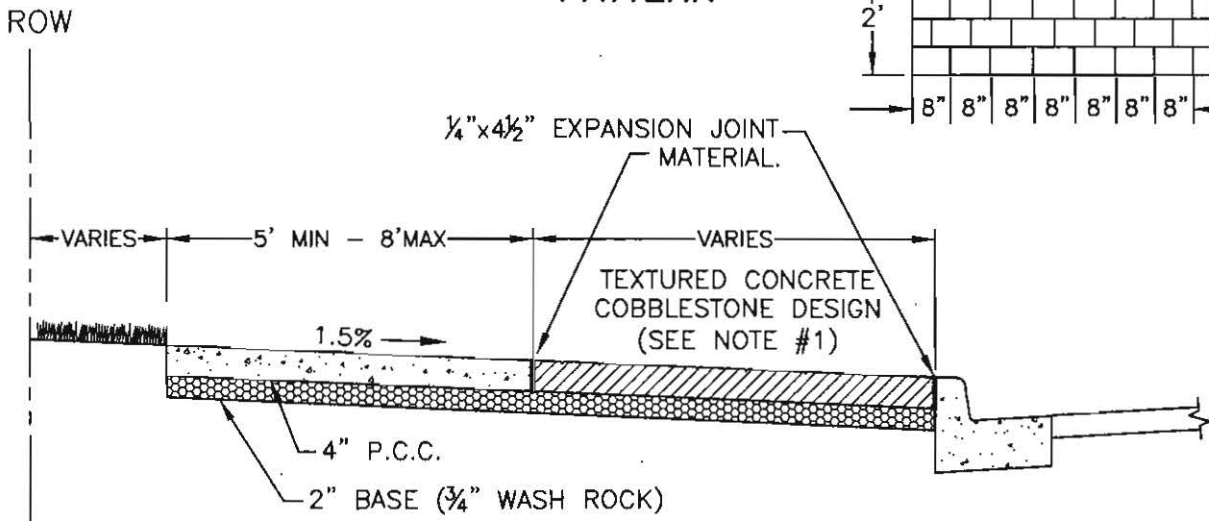
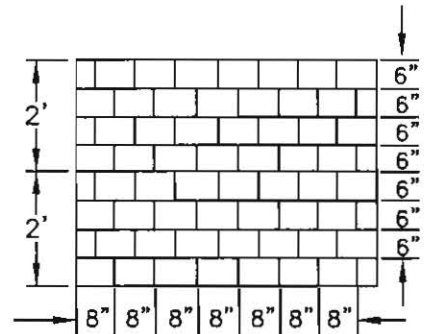


TYPICAL PATTERN



**NOTES:**

1. TEXTURED CONCRETE SHALL INCLUDE RED COLORING (160 DAVIS) IN AN AMOUNT PROPORTIONAL TO THE NUMBER OF SACKS OF CEMENT PER CUBIC YARD OF CONCRETE. (4-LBS. COLORING PER SACK OF CEMENT). A WATER REDUCER ADDITIVE SHALL ALSO BE INCLUDED.

APPROVED  
  
 City Engineer

10/19/09  
 Date

CITY OF BELLINGHAM  
 PARKWAY SIDEWALK

DRAWING  
 CG-238