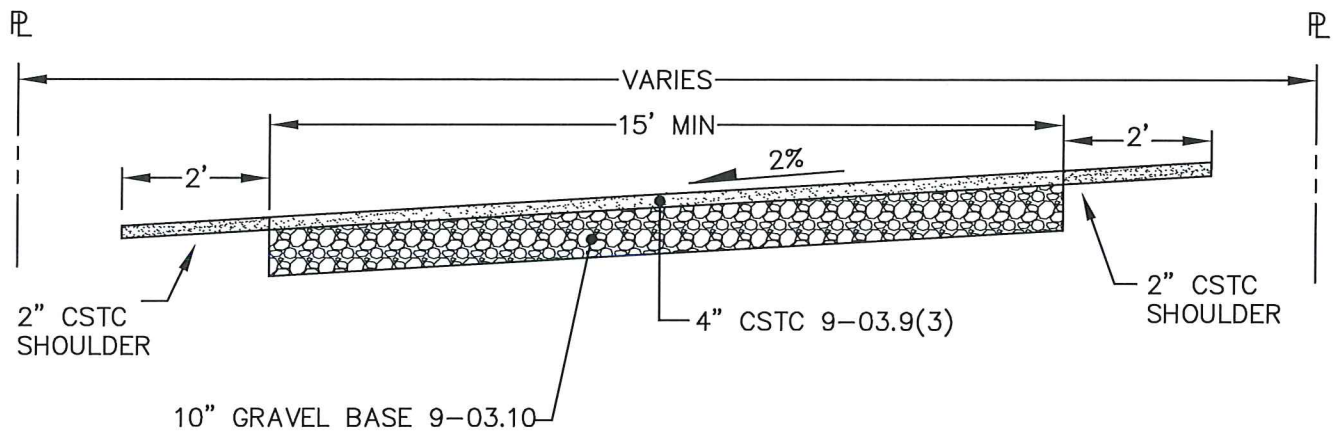


ALTERNATE A



ALTERNATE B

**NOTES:**

1. A LICENSED BONDED CONTRACTOR REGISTERED IN THE CITY OF BELLINGHAM SHALL DO ALL WORK WITHIN THE RIGHT-OF-WAY.
2. ALLEY ACCESS FROM PUBLIC STREET SHALL HAVE 20' LONG APRON OF 6" CONCRETE OR 2- $\frac{1}{2}$ " HMA.
3. ALL MATERIAL AND WORKMANSHIP SHALL CONFORM TO THE PROVISIONS OF APWA STANDARD SPECIFICATIONS.
4. GRAVEL BASE AND CSTC SHALL BE INSTALLED IN LIFTS AND COMPACTED TO 95% OF THE MAXIMUM DENSITY.
5. DEPENDING ON EXISTING CONDITIONS THE WIDTH, CROWN AND SLOPE MAY VARY. FIELD FIT ALTERATIONS TO BE APPROVED BY CITY OF BELLINGHAM.

APPROVED

City Engineer

29 May 2018

Date

CITY OF BELLINGHAM

MINIMUM STANDARD ALLEY  
GRAVEL

DRAWING

ST-106